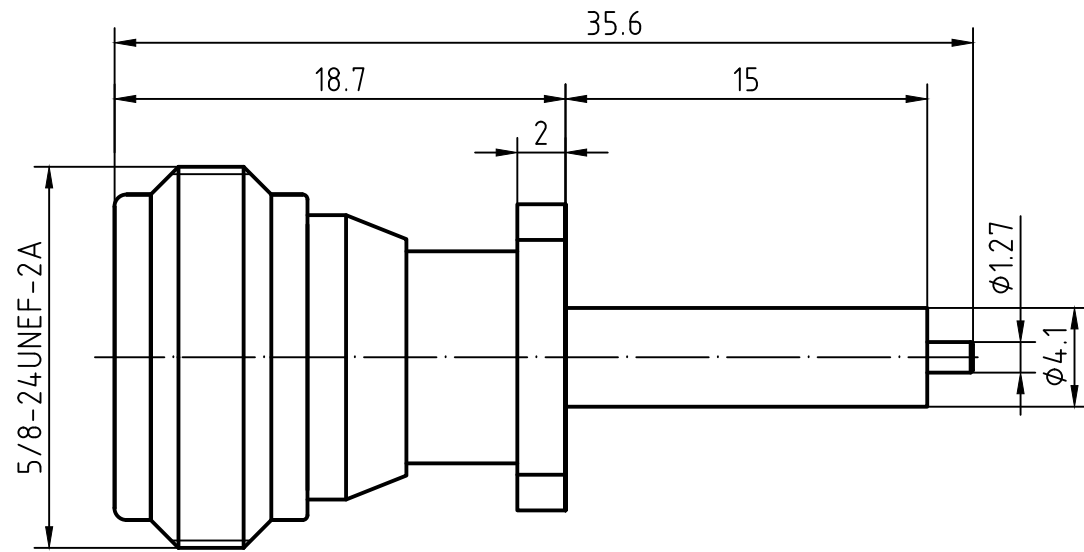
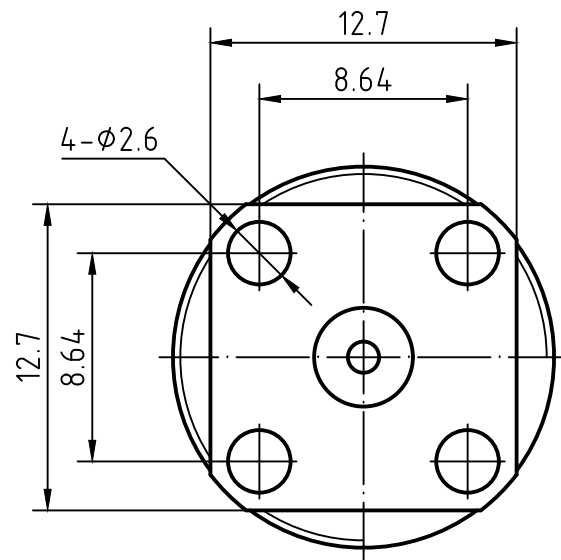


N-TYPE Straight panel receptacle jack, flange mount



Electrical data:


Impedance: 50 ohm
 Frequency range: DC to 11 GHz
 Return loss: ≥ 35 dB, DC to 2.5 GHz
 ≥ 30 dB, 2.5 to 4 GHz
 ≥ 20 dB, 4 to 8 GHz
 Insertion loss: $\leq 0.10 \times \sqrt{f[\text{GHz}]}$ dB
 Insulation resistance: $\geq 5000\text{M}\Omega$
 Test voltage: 2500 V rms
 Working voltage: 1400 V rms
 Contact resistance:
 1). Centre contact: ≤ 1.0 m Ω
 2). Outer conductor: ≤ 0.25 m Ω

Environmental data:

Temperature rating: -55 ° C to +155 ° C
 2002/95/EC (RoHS): Compliant

Mechanical data:

Mating cycles: ≥ 500
 Center contact captivation: ≥ 27 N(axial)
 ≥ 3 Ncm(radial)
 Coupling test torque: ≤ 1.7 Nm
 Recommended torque: 0.7 Nm to 1.1 Nm

3	Body	Brass	Nickel plated	
2	Insulator	PTFE		
1	Center contact	Phosphor bronze	Gold plated	
Item No.	Description	Materials	Surface Plating	
Designed	Scale	1 : 1	Description N Type female FL Connector(4 Holes)	
Checked	SHEET	1/1		
			P/N	N-21134
			Date	11.09.13