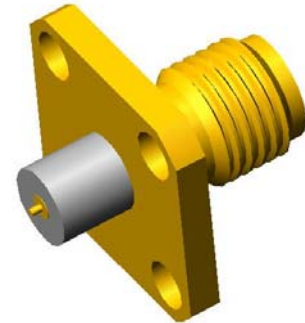


Coaxial Straight Flange Connector: SMA-21134B

Description

Straight panel receptacle jack (female), flange mount



Technical Data

Electrical Data

Impedance	50 Ω
Interface frequency max.	18 GHz
VSWR	1.05+0.01 \times f(GHz) max
Voltage rating	500 V(rms)
Test voltage	1000 V(rms)
Contact resistance:	
Center conductor	\leq 3m Ω
Out conductor	\leq 2m Ω
Insulation resistance	\geq 5000M Ω

Mechanical Data

Weight	3.3 g
Durability	500 Cycles

Environmental Data

Operating Temperature	-65 $^{\circ}$ C to 165 $^{\circ}$ C
-----------------------	--------------------------------------

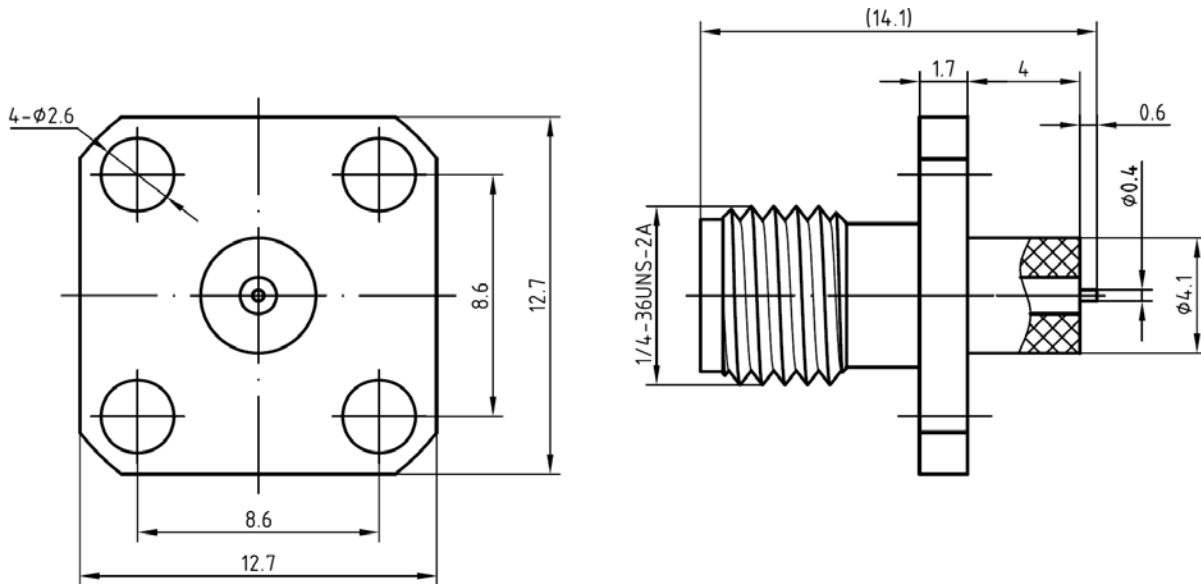
Material Data

Piece Parts

Piece Parts	Material	Surface Plating(μ m)
Body	Brass	Gold 0.2 over Nickel 2.0
Center contact	Beryllium copper	Gold 0.5 over Nickel 2.0
Insulator	PTFE	

Coaxial Straight Flange Connector: SMA-21134B

Outline drawing



Packaging

Standard

100/Box=10 Bag

Other

Contact us

website

<http://www.rfconnec.com>