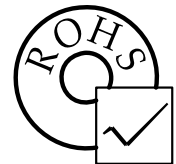
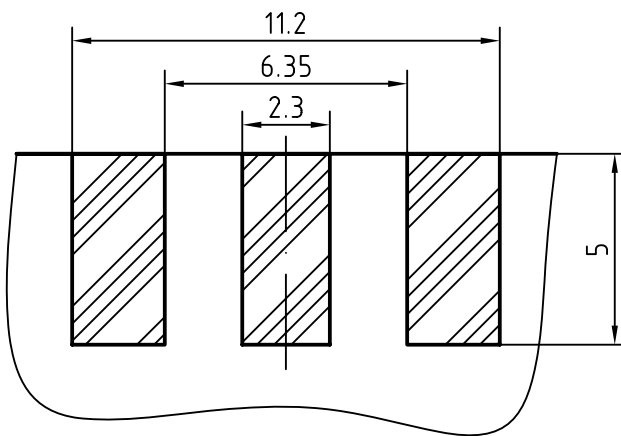


RECOMMENDED MOUNTING PAD



3	1	Body	Brass/Gold plated	
2	1	Insulator	PTFE	
1	1	Center contact	Beryllium copper/Gold plated	
Itemref	Quantity	Title/Name, designation, material, dimension etc		Article No./Reference

Designed by xio xang	Checked by jing lo	Approved by - date jing chan	File name SMA-3113-B	Date 06.02.16	Scale 6 : 1
-------------------------	-----------------------	---------------------------------	-------------------------	------------------	----------------

	<b>SMA-3113-B</b>	
	Edition 1.0	Sheet 1/1

## CHARACTERISTICS

DESCRIPTION: SMA Type female edge mount connector

### Electrical data:

Impedance:	50 ohm
Frequency range:	DC to 18 GHz
VSWR:	$\leq 1.08 + 0.02 \times f$ [GHz], DC to 18 GHz
Insertion loss:	$\leq 0.03 \times \sqrt{f}$ [GHz] dB
Insulation resistance:	$\geq 5000\text{M}\Omega$
Test voltage:	1000 V rms
Working voltage:	480 V rms
Contact resistance:	
1). Centre contact:	3.0 m $\Omega$
2). Outer conductor:	2.0 m $\Omega$
Power handling (at 20 °C, sea level, VSWR 1.0):	$\leq 200$ W @ 2 GHz;
RF-leakage:	$\geq 100$ dB up to 1 GHz

- Limitations are possible due to the used cable type -

### Environmental data:

Temperature rating:	-65 °C to 165 °C
2002/95/EC (RoHS):	Compliant

### Mechanical data:

Mating cycles:	$\geq 500$
Coupling nut retention	$\geq 27$ N
Coupling test torque:	$\leq 1.1$ Nm
Recommended torque:	0.46 Nm to 0.69 Nm

### Suitable cables:

N/A