

DRAWING

A

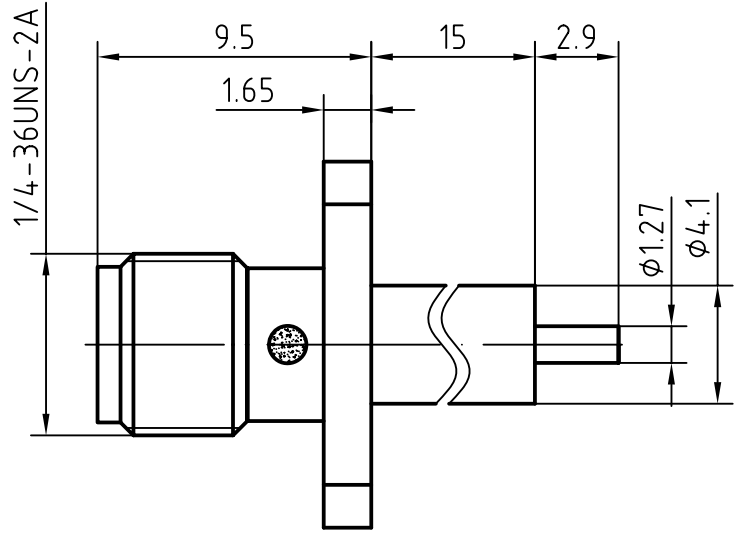
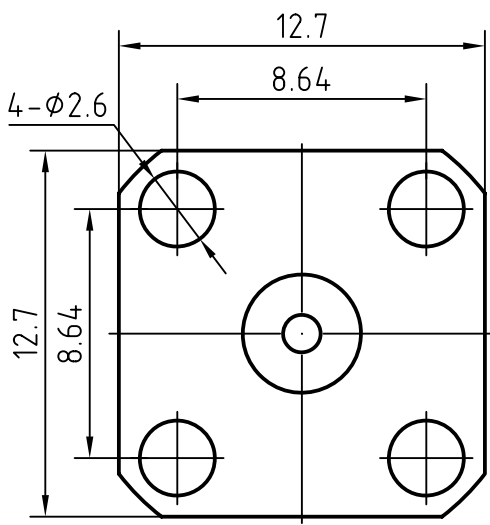
A

B

B

C

C



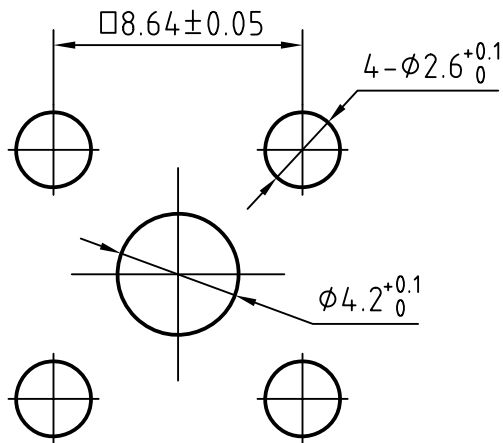
MOUNTING HOLE

D

D

E

E



3	1	Body	Brass/Gold plated
2	1	Insulator	PTFE
1	1	Center contact	Beryllium copper/Gold plated

Designed by xio xang	Checked by jing lo	Approved by - date jing chan	File name SMA-21134	Date 05.06.16	Scale 5 : 1
-------------------------	-----------------------	---------------------------------	------------------------	------------------	----------------

	SMA-21134	
	Edition 1.0	Sheet 1/1

