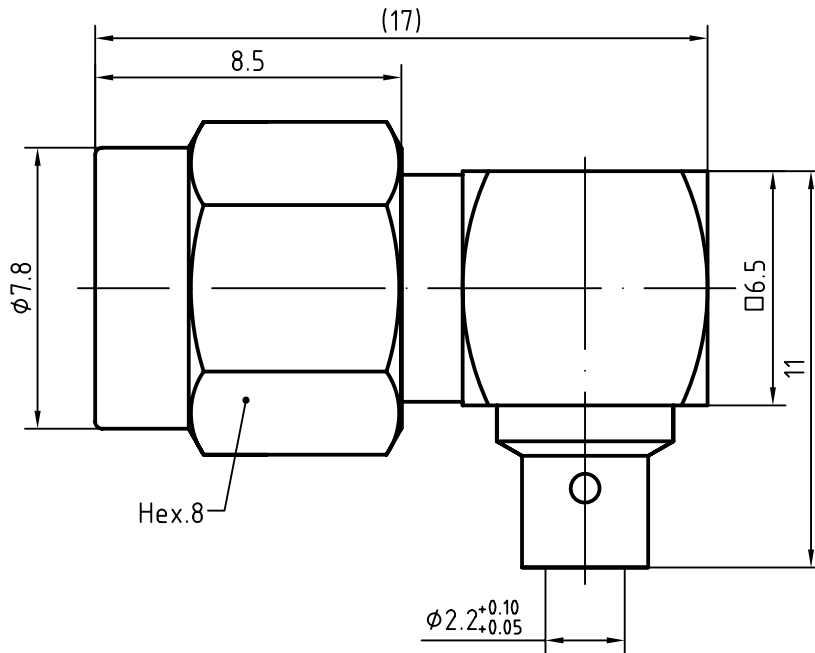
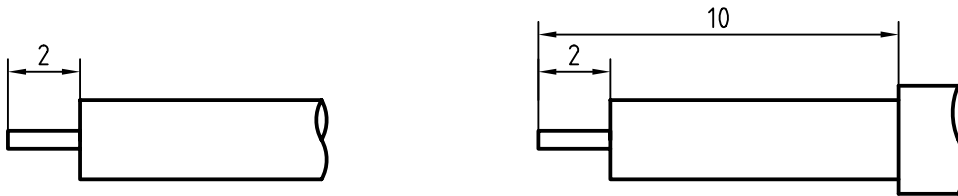


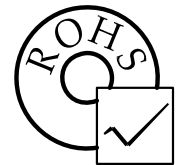
DRAWING



CABLE(UT086,RG405,670-086)



With jacket



5	1	O ring	Silicon rubber	
4	1	Insulator	PTFE	
3	1	Center contact	Brass/gold plated	
2	1	Coupling nut	Brass/Gold plated	
1	1	Body	Brass/Gold plated	
Itemref	Quantity	Title/Name, designation, material, dimension etc		Article No./Reference

Designed by
xio xang

Checked by
jing lo

Approved by - date
jing chan

File name
SMA-1223-7

Date
06.08.21

Scale
6:1

RF CONNEC

SMA-1223-7

Edition
1.0

Sheet
1/1

CHARACTERISTICS

DESCRIPTION: SMA Type male R/A connector

Electrical data:

Impedance:	50 ohm
Frequency range:	DC to 18 GHz
VSWR:	$\leq 1.10 + 0.02 \times f$ [GHz], DC to 18 GHz
Insertion loss:	$\leq 0.05 \times \sqrt{f}$ [GHz] dB
Insulation resistance:	$\geq 5000 M\Omega$
Test voltage:	1000 V rms
Working voltage:	480 V rms
Contact resistance:	
1). Centre contact:	3.0 m Ω
2). Outer conductor:	2.0 m Ω
Power handling(at 20 °C, sea level, VSWR 1.0):	≤ 200 W @ 2 GHz;
RF-leakage	≥ 100 dB up to 1 GHz

- Limitations are possible due to the used cable type -

Environmental data:

Temperature rating:	-65 °C to 165 °C
2002/95/EC (RoHS):	Compliant

Mechanical data:

Mating cycles:	≥ 500
Coupling nut retention	≥ 270 N
Coupling test torque:	≤ 1.1 Nm
Recommended torque:	0.46 Nm to 0.69 Nm

Suitable cables:

UT086, RG405, 670-086