



Reverse Polarity SMA Female to Reverse Polarity SMA Female Bulkhead Adapter

RF Adapters Technical Data Sheet

PE9593

Configuration

- SMA Female Reverse Polarity Connector 1
- SMA Female Reverse Polarity Connector 2
- 50 Ohms
- Straight Body Geometry
- Bulkhead Mount Method

Features

- Max VSWR of 1.25:1 up to 18 GHz
- SMA Interface compliant with MIL-STD-348
- Gold over Nickel Plated Beryllium Copper Contact
- Contact Plating per MIL-G-45204
- Epoxy captivation

Applications

- General Purpose Test
- Rack Mounted Equipment

Description

Pasternack's PE9593 reverse polarity SMA female to reverse polarity SMA female bulkhead adapter is part of our full line of RF components available for same-day shipping. The SMA connector mates mechanically with commercially available 3.5mm and 2.92mm (K) connectors. Our reverse polarity SMA to reverse polarity SMA adapter has a female to female gender configuration. PE9593 reverse polarity SMA female to reverse polarity SMA female adapter operates to 18 GHz. The Pasternack RF adapter provides excellent VSWR of 1.25:1 maximum. This RF SMA to SMA bulkhead adapter allows designers to create external connections on their product enclosures, and can be used in a variety of other rack mount and panel mount applications.

RF adapters are often used to enable connections between two connector types that would otherwise not mate. Certain adapter configurations can also be used to protect connectors on expensive equipment where the number of connect/disconnect cycles is high. An RF, microwave or millimeter wave adapter is connected to the equipment, and the commonly changed connection is made with the adapter which can be easily replaced when it wears out after high usage; such adapters are referred to as connector savers. Pasternack also offers bulkhead, panel mount, hermetically sealed, reverse polarity, and isolated ground adapter varieties to serve all of your RF, microwave and millimeter wave needs.

Electrical Specifications

Description	Minimum	Typical	Maximum	Units
Frequency Range	DC		18	GHz
VSWR			1.25:1	
Operating Voltage (AC)			500	Vrms
Dielectric Withstanding Voltage (AC)			1,500	Vrms
Insulation Resistance	5,000			MOhms

Electrical Specification Notes:
 Values at 25°C, sea level

Click the following link (or enter part number in "SEARCH" on website) to obtain additional part information including price, inventory and certifications: [Reverse Polarity SMA Female to Reverse Polarity SMA Female Bulkhead Adapter PE9593](#)



Reverse Polarity SMA Female to Reverse Polarity
SMA Female Bulkhead Adapter

RF Adapters Technical Data Sheet

PE9593

Mechanical Specifications

Size

Length	0.875 in [22.23 mm]
Width	0.375 in [9.53 mm]
Weight	0.011 lbs [4.99 g]

Description	Connector 1	Connector 2
Type	SMA Female	SMA Female
Polarity	Reverse Polarity	Reverse Polarity
Interface Specification	MIL-STD-348	MIL-STD-348
Contact Captivation Method	Epoxy	Epoxy

Material Specifications

Description	Connector 1		Connector 2	
	Material	Plating	Material	Plating
Type	SMA Female Reverse Polarity		SMA Female Reverse Polarity	
Contact	Beryllium Copper	Gold over Nickel MIL-G-45204	Beryllium Copper	Gold over Nickel MIL-G-45204
Insulation	PTFE		PTFE	
Outer Conductor	Passivated Stainless Steel		Passivated Stainless Steel	
		QQ-P-35		QQ-P-35

Environmental Specifications

Temperature

Operating Range	-65 to +165 deg C
-----------------	-------------------

Compliance Certifications (see [product page](#) for current document)

Plotted and Other Data

Notes:

Click the following link (or enter part number in "SEARCH" on website) to obtain additional part information including price, inventory and certifications: [Reverse Polarity SMA Female to Reverse Polarity SMA Female Bulkhead Adapter PE9593](#)





Reverse Polarity SMA Female to Reverse Polarity SMA Female Bulkhead Adapter

RF Adapters Technical Data Sheet

PE9593

Reverse Polarity SMA Female to Reverse Polarity SMA Female Bulkhead Adapter from Pasternack Enterprises has same day shipment for domestic and International orders. Our RF, microwave and millimeter wave products maintain a 99% availability and are part of the broadest selection in the industry.

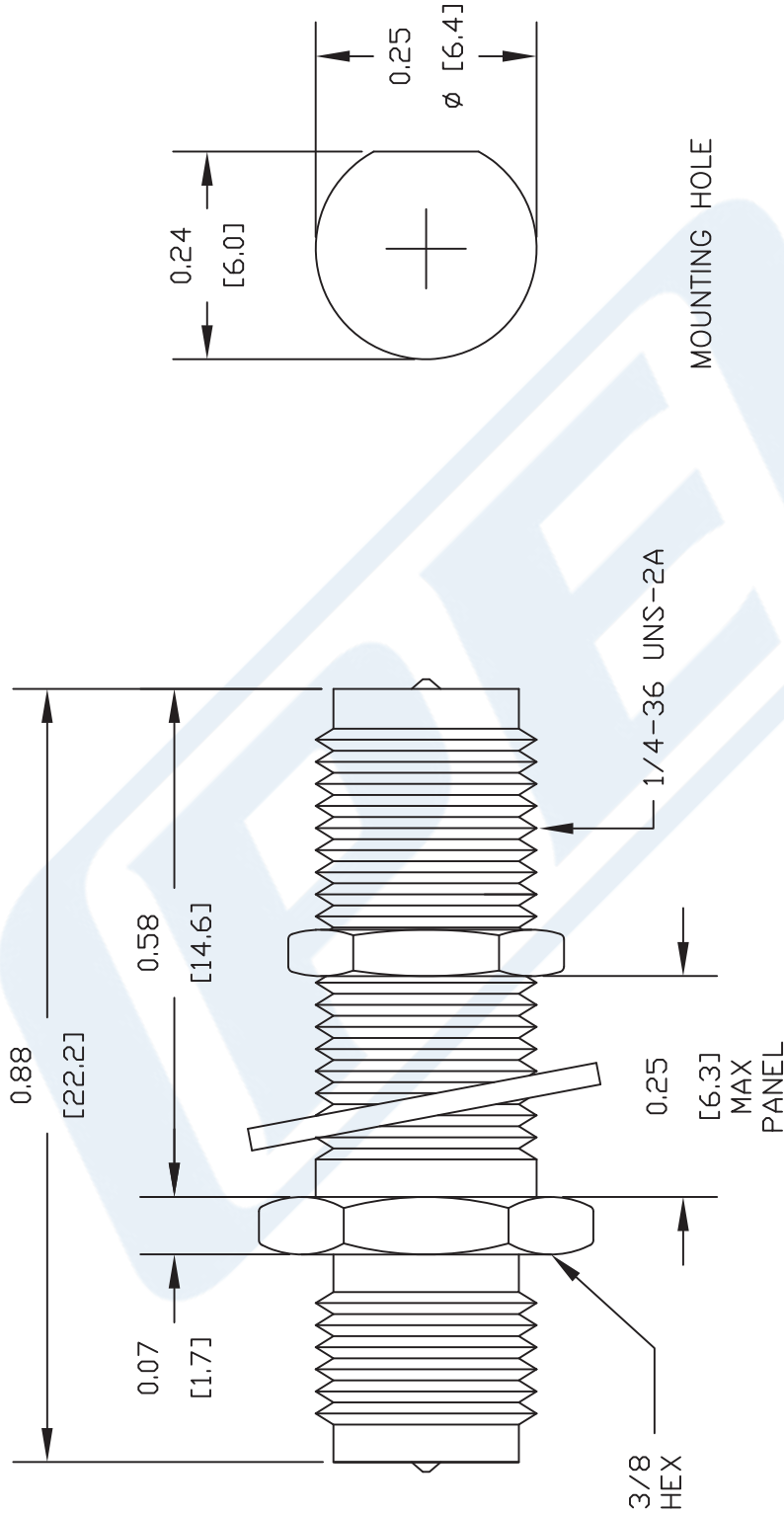
Click the following link (or enter part number in "SEARCH" on website) to obtain additional part information including price, inventory and certifications: [Reverse Polarity SMA Female to Reverse Polarity SMA Female Bulkhead Adapter PE9593](https://www.pasternack.com/sma-female-sma-female-straight-adapter-pe9593-p.aspx)

URL: <https://www.pasternack.com/sma-female-sma-female-straight-adapter-pe9593-p.aspx>

The information contained in this document is accurate to the best of our knowledge and representative of the part described herein. It may be necessary to make modifications to the part and/or the documentation of the part, in order to implement improvements. Pasternack reserves the right to make such changes as required. Unless otherwise stated, all specifications are nominal. Pasternack does not make any representation or warranty regarding the suitability of the part described herein for any particular purpose, and Pasternack does not assume any liability arising out of the use of any part or documentation.

PE9593 CAD Drawing

Reverse Polarity SMA Female to Reverse Polarity SMA Female Bulkhead Adapter



DWG TITLE

PE9593

NOTES:
 1. UNLESS OTHERWISE SPECIFIED ALL DIMENSIONS ARE NOMINAL.
 2. ALL SPECIFICATIONS ARE SUBJECT TO CHANGE WITHOUT NOTICE AT ANY TIME.
 3. DIMENSIONS ARE IN INCHES [mm].

REV. -

FSCM NO. 53919

CAD FILE 100202

SCALE N/A

SIZE A

127



Pasternack Enterprises, Inc.
 P.O. Box 16759 | Irvine | CA | 92623
 Phone: (949) 261-1920 | Fax: (949) 261-7451
 Website: www.pasternack.com | E-Mail: sales@pasternack.com