



SMA Female to SMA Female Right Angle Adapter

RF Adapters Technical Data Sheet

PE9485

Configuration

- SMA Female Connector 1
- SMA Female Connector 2
- 50 Ohms
- Right Angle Body Geometry

Electrical Specifications

Description	Minimum	Typical	Maximum	Units
Operating Voltage (AC)			335	Vrms
Dielectric Withstanding Voltage (AC)			1,000	Vrms
Insulation Resistance	10,000			MOhms

Mechanical Specifications

Size	
Length	0.585 in [14.86 mm]
Width	0.25 in [6.35 mm]
Height	0.585 in [14.86 mm]
Weight	0.006 lbs [2.72 g]

Description	Connector 1	Connector 2
Type	SMA Female	SMA Female
Polarity	Standard	Standard

Material Specifications

Description	Connector 1		Connector 2	
	Material	Plating	Material	Plating
Type	SMA Female		SMA Female	
Contact		Gold		Gold
Insulation	Teflon		Teflon	
Body	Passivated Stainless Steel		Passivated Stainless Steel	

Environmental Specifications

Temperature	
Operating Range	-65 to +165 deg C

Click the following link (or enter part number in "SEARCH" on website) to obtain additional part information including price, inventory and certifications: [SMA Female to SMA Female Right Angle Adapter PE9485](#)



SMA Female to SMA Female Right Angle Adapter

RF Adapters Technical Data Sheet

PE9485

Compliance Certifications (visit www.Pasternack.com for current document)

Not RoHS Compliant

REACH Compliant

12/17/2014

Plotted and Other Data

Notes:

SMA Female to SMA Female Right Angle Adapter from Pasternack Enterprises has same day shipment for domestic and International orders. Our RF, microwave and millimeter wave products maintain a 99% availability and are part of the broadest selection in the industry.

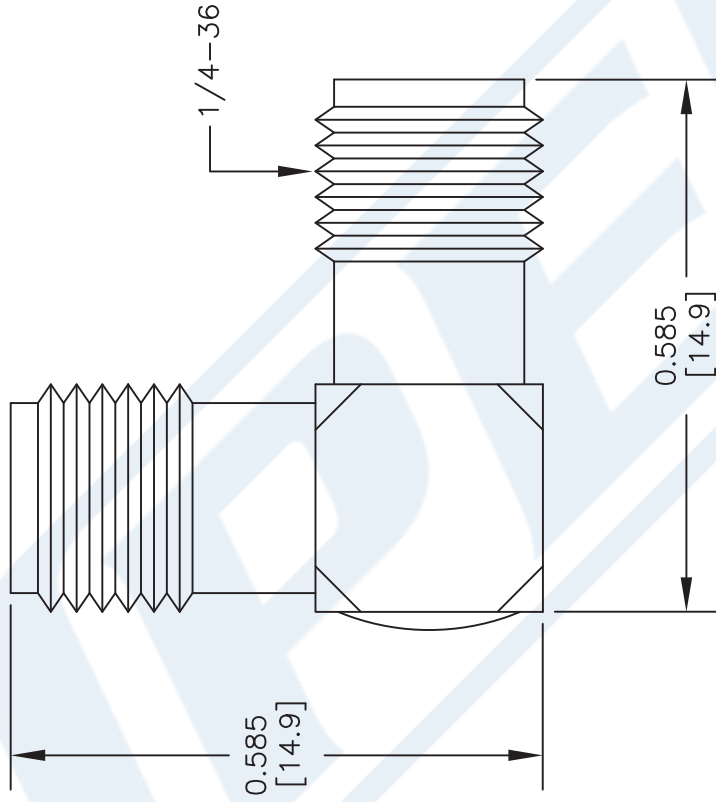
Click the following link (or enter part number in "SEARCH" on website) to obtain additional part information including price, inventory and certifications: [SMA Female to SMA Female Right Angle Adapter PE9485](#)

URL: <http://www.pasternack.com/sma-female-sma-female-right-angle-adapter-pe9485-p.aspx>

The information contained in this document is accurate to the best of our knowledge and representative of the part described herein. It may be necessary to make modifications to the part and/or the documentation of the part, in order to implement improvements. Pasternack reserves the right to make such changes as required. Unless otherwise stated, all specifications are nominal. Pasternack does not make any representation or warranty regarding the suitability of the part described herein for any particular purpose, and Pasternack does not assume any liability arising out of the use of any part or documentation.

PE9485 CAD Drawing

SMA Female to SMA Female Right Angle Adapter



DWG TITLE

PE9485

NOTES:
1. UNLESS OTHERWISE SPECIFIED ALL DIMENSIONS ARE NOMINAL.
2. ALL SPECIFICATIONS ARE SUBJECT TO CHANGE WITHOUT NOTICE AT ANY TIME.
3. DIMENSIONS ARE IN INCHES [mm].

FSCM NO. 53919

CAD FILE 120215

SCALE N/A

SIZE A

2233

PE PASTERNAK®
THE ENGINEER'S RF SOURCE

Pasternack Enterprises, Inc.
P.O. Box 16759 | Irvine | CA | 92623
Phone: (949) 261-1920 | Fax: (949) 261-7451
Website: www.pasternack.com | E-Mail: sales@pasternack.com