

SAW Filter 828.0MHz
Part No: MP06146

Model: TB1008A
Rev No: 2

A. MAXIMUM RATING:

Electrostatic Sensitive Device

1. Operating temperature range: -25°C to 55°C
2. Storage temperature range: -40°C to 85°C
3. Input Power Level: 10dBm
4. Maximum DC Voltage: 10V

B. CHARACTERISTICS:

Ambient Temperature: 25°C

| Characteristics | Min. | Typ. | Max. |
|---|------|--------|------|
| Center frequency Fc MHz | - | 828 | - |
| Maximum Insertion loss IL dB | - | 25.5 | 30.0 |
| 1.0dB Band Width MHz | 14.0 | 14.7 | - |
| 40dB Band Width MHz | | 18.0 | 19.0 |
| Passband Ripple at Fc ± 7.0MHz dB | - | 0.7 | 1.2 |
| Attenuation (Reference level from minimum Insertion loss) | | | |
| 818.5MHz dB | 40 | 47 | - |
| 837.5MHz dB | 40 | 55 | - |
| Single Input Impedance Ω | - | 50 | - |
| Single Output Impedance Ω | - | 50 | - |
| Temperature Coefficient ppm/°C ² | - | -0.036 | - |

SAW Filter 828.0MHz
Part No: MP06146

Model: TB1008A
Rev No: 2

C. FREQUENCY CHARACTERISTICS:

1. Wide band response

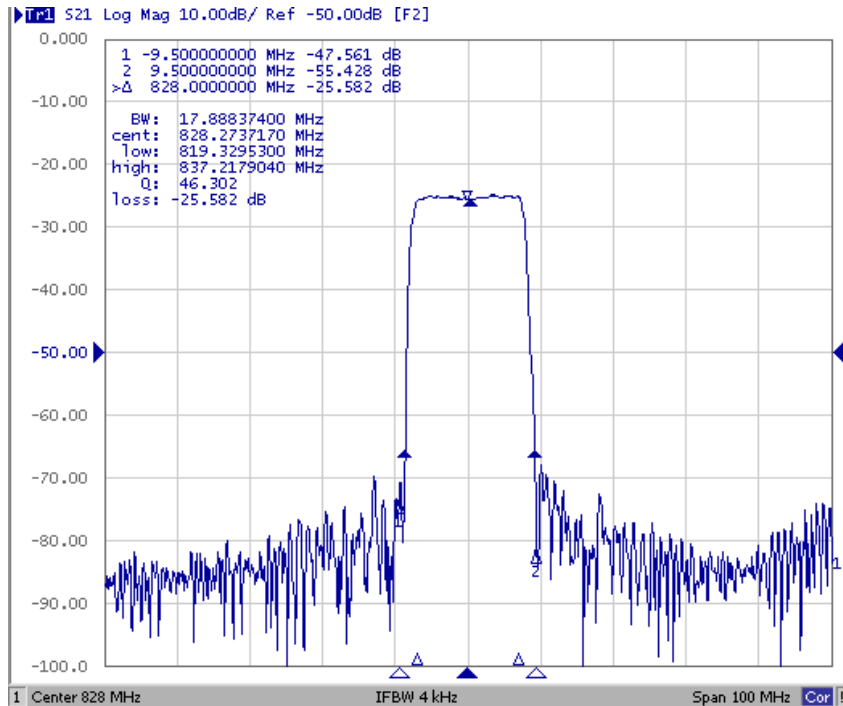


Fig. 1: Horizontal: 10MHz / Div, Vertical: 10dB/Div

2. Pass band & Group Delay response

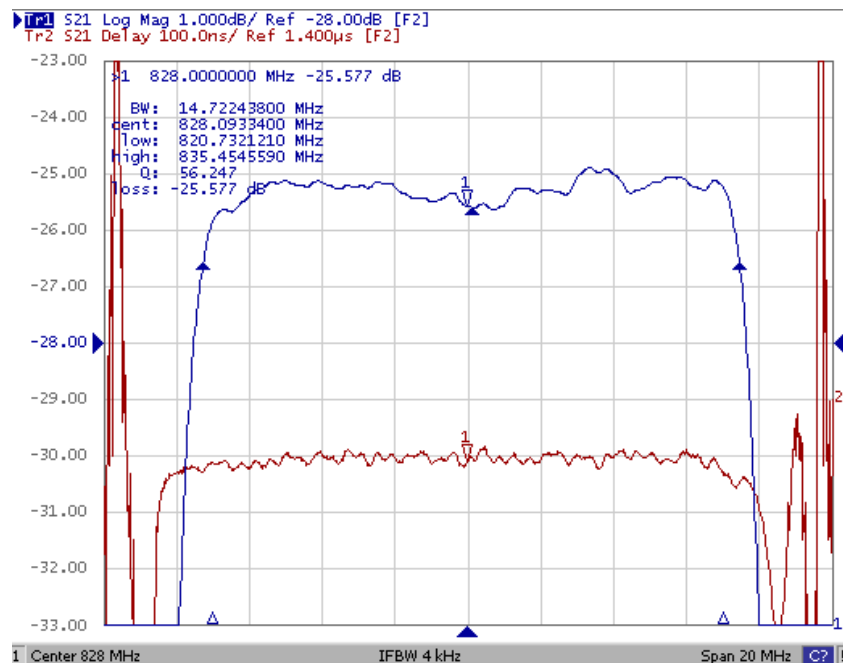
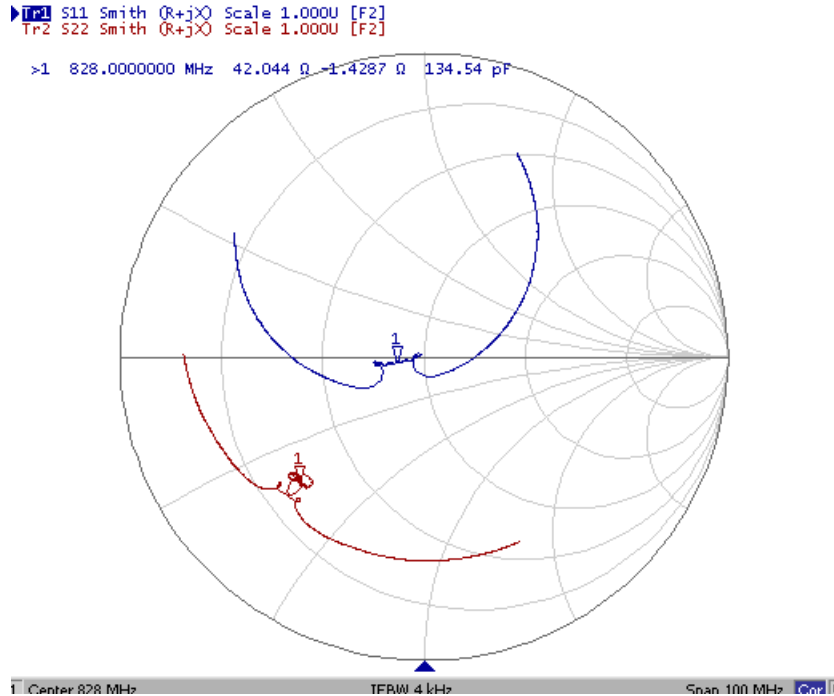


Fig. 2: Horizontal: 2MHz / Div, Vertical: 1dB / Div, Vertical: 100ns / Div

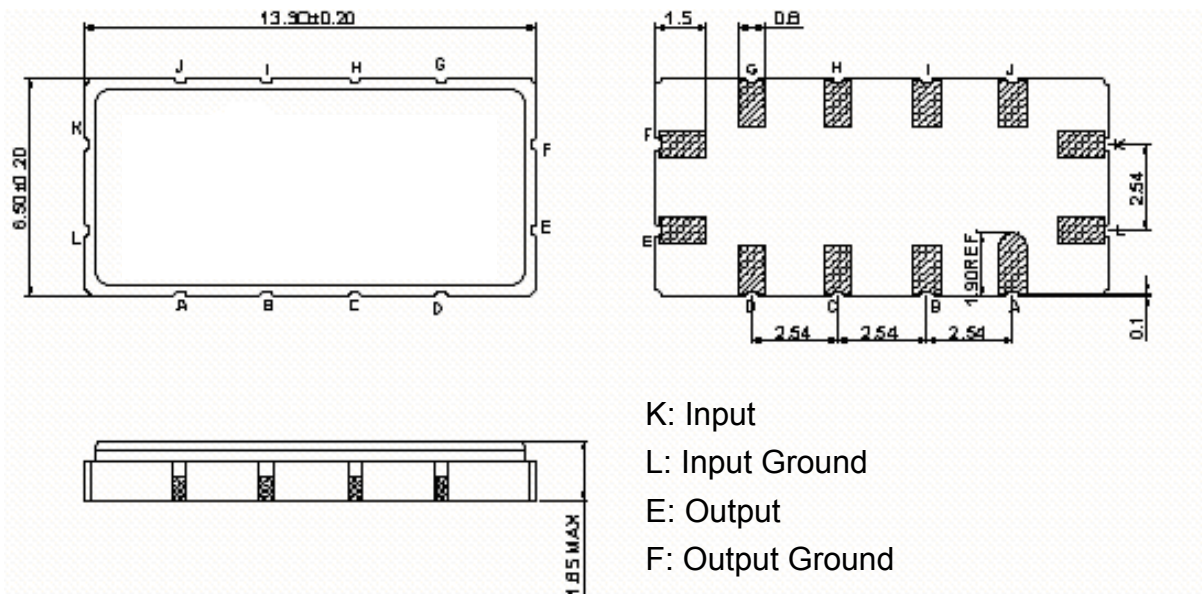
SAW Filter 828.0MHz
Part No: MP06146

Model: TB1008A
Rev No: 2

3. Smith Chart



D. OUTLINE DRAWING:

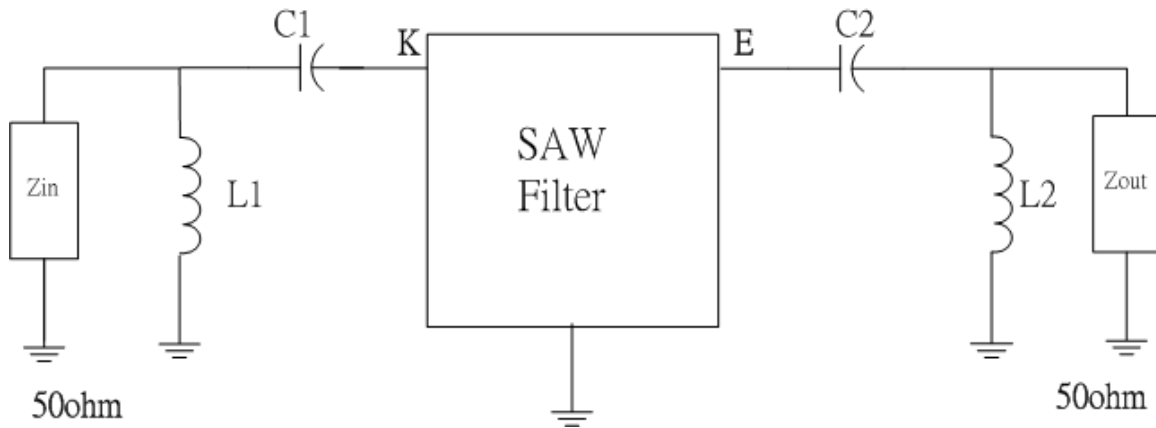


- K: Input
 - L: Input Ground
 - E: Output
 - F: Output Ground
 - A, B, C, D, G, H, I, J: Ground
- Unit: mm

SAW Filter 828.0MHz
Part No: MP06146

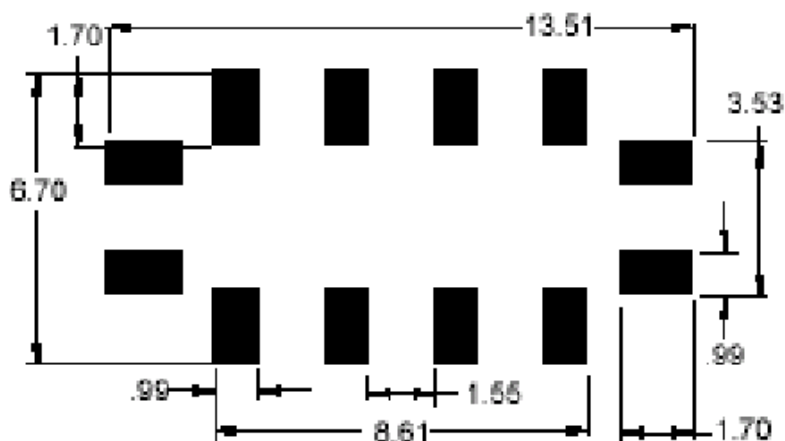
Model: TB1008A
Rev No: 2

E. MATCHING CIRCUIT:



$$Z_{IN} = Z_{OUT} = 50\Omega$$
$$L1 = 3nH, L2 = 5.6nH, C1 = 4.7pF, C2 = 6.8pF$$

F. PCB FOOTPRINT:



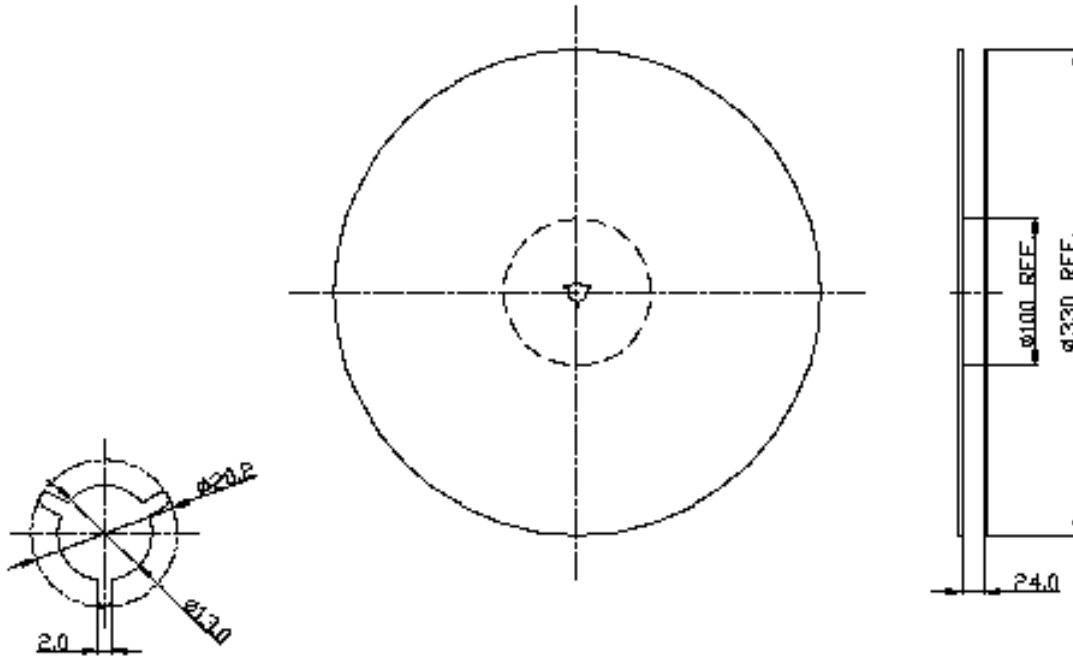
Unit: mm

SAW Filter 828.0MHz
Part No: MP06146

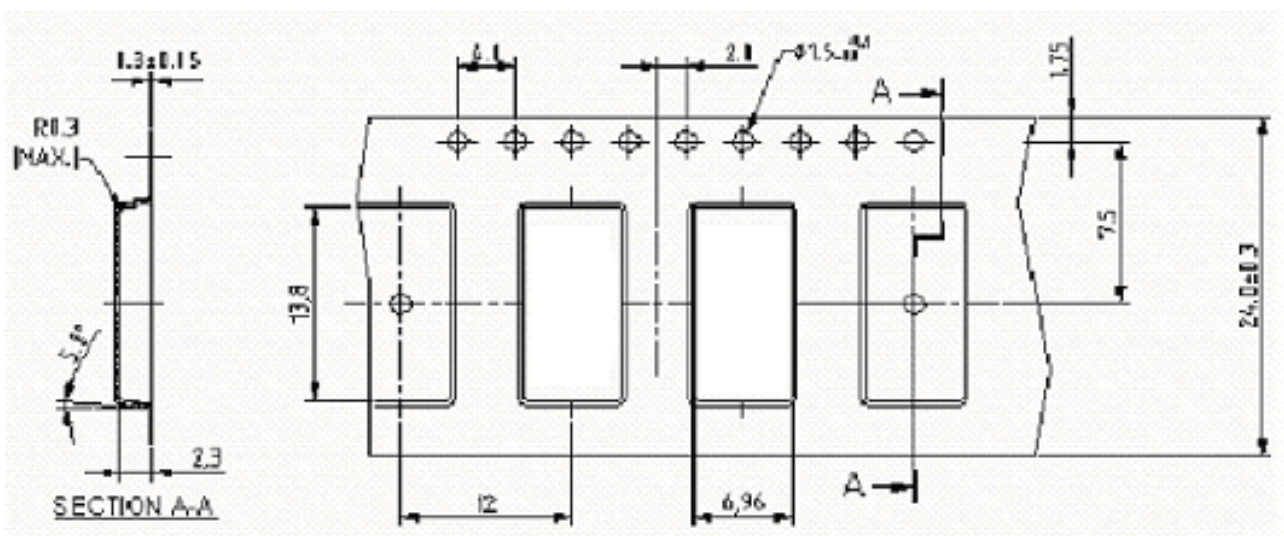
Model: TB1008A
Rev No: 2

G. PACKING:

1. Reel Dimension: (Reel count: 7" = 500)



2. Tape Dimension



SAW Filter 828.0MHz
Part No: MP06146

Model: TB1008A
Rev No: 2

H. RECOMMENDED REFLOW PROFILE:

